



MONOFLOOD 4000 SPOTLIGHT

Technical Details



Features

Polycarbonate vandal-proof face

Powered by Bridgelux

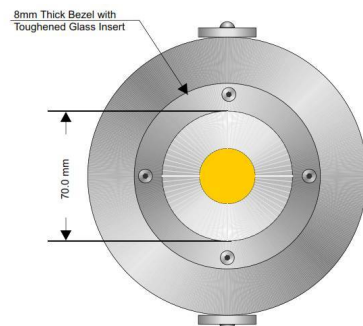
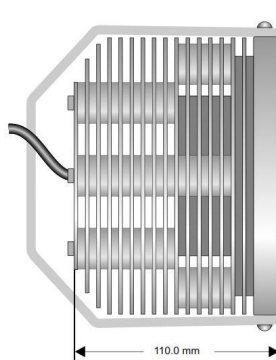
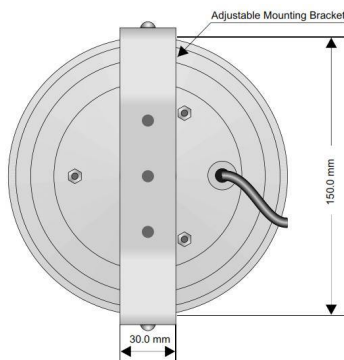
High Lumen Output

The Monoflood 4000 is a brand new concept in white spotlighting, designed around the high-power Bridgelux LED arrays.

A single beam of light with a specifically designed reflector optic provides up to an amazing 10,000lumens of white light and uses as little as 25% of the electrical energy as a conventional light source. This not only saves money in the long run, but also helps to cut down on carbon emissions.

The unit is IP68 rated and so is suitable for any indoor or outdoor lighting project. It is supplied with a suitable driver and is designed to be easy to install.

Profile Dimensions



Specifications	CW	NW	WW
Lighting Performance			
Light Source	Bridgelux array		
LED Quantity	1		
Lumen Output (at 500mA)	10,000lm	9000lm	8000lm
Expected Lifetime	50,000 Hours+		
Input Data			
Drive Current	2000mA		
Input Voltage	27V via driver		
Power Supply Type	Constant Current		
Input Connection	Flying Lead		
Operating Details			
Input Power (at 500mA)	44W		
Ambient Temperature	-10 to +40 Degrees C		
Physical Details			
Mounting Type	Adjustable Aluminium Bracket		
Finish	Silver Anodised		
Options			
Optics	Medium (14 Degrees) Wide (24 Degrees)		
Single Colour Options	Cool White (CW) (5600K) Neutral White (NW) (4000K) Warm White (WW) (3000K)		