

# MONOFLOOD 4000 SERIES

## Technical Details



- Vandal-proof toughened glass face
- Adjustable mounting bracket
- Powered by Bridgelux
- Cool white (CW), Neutral white (NW), Warm white (WW)
- High Lumen output

The Monoflood 4000 is a brand new concept in white spotlighting, designed around the high-power Bridgelux LED arrays.

A single beam of light with a specifically designed reflector optic provides up to an amazing 3800 lumens of white light and uses as little as 25% of the electrical energy as a conventional light source. This not only saves money in the long run, but also helps to cut down on carbon emissions.

The unit is IP68 rated and so is suitable for any indoor or outdoor lighting project. It is supplied with a suitable driver and is designed to be easy to install.

LIGHTING PERFORMANCE	CW	NW	WW
LIGHT SOURCE	BRIDGELUX ARRAY		
LED QUANTITY	1		
LUMEN OUTPUT (AT 1750mA)	3800lm	2900lm	2650lm
EXPECTED LIFETIME	50,000 HOURS+		

EFFICIACY	CW	NW	WW
DRIVE CURRENT	1750Ma		
LUMEN OUTPUT	3800lm	2900lm	2650lm
LUMENS PER WATT	74lm/W	56lm/W	52lm/W

INPUT DATA	CW	NW	WW
DRIVE CURRENT	1750Ma		
INPUT VOLTAGE	230VAC		
POWER SUPPLY	CONSTANT CURRENT		
INPUT CONNECTION	FLYING LEAD		

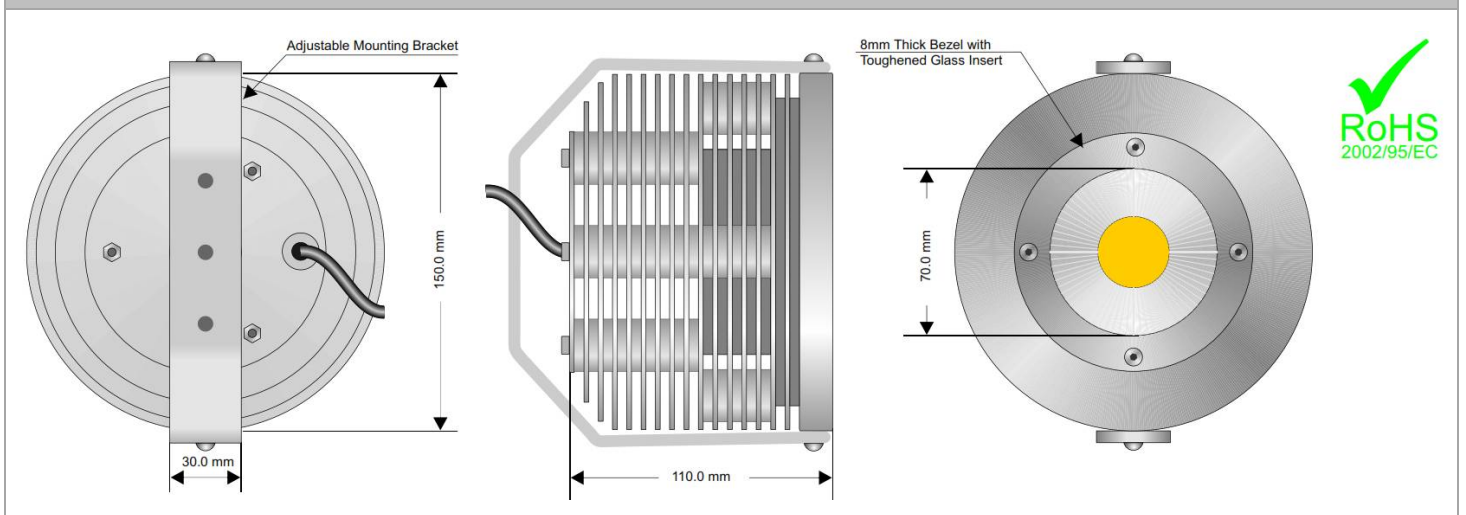
OPERATING DETAILS	CW	NW	WW
INPUT POWER	44W @ 1750Ma		
AMBIENT TEMPERATURE RANGE	-10 TO +40 DEGREES C		

PHYSICAL DETAILS	ALL MODELS
MOUNTING TYPES	ADJUSTABLE ALUMINIUM BRACKET
FINISH	SILVER ANODISED

OPTICS	ALL MODELS
REFLECTOR OPTICS (HALF-DIVERGENCE ANGLE -FWHM)	MEDIUM (14 DEGREES) WIDE (24 DEGREES)

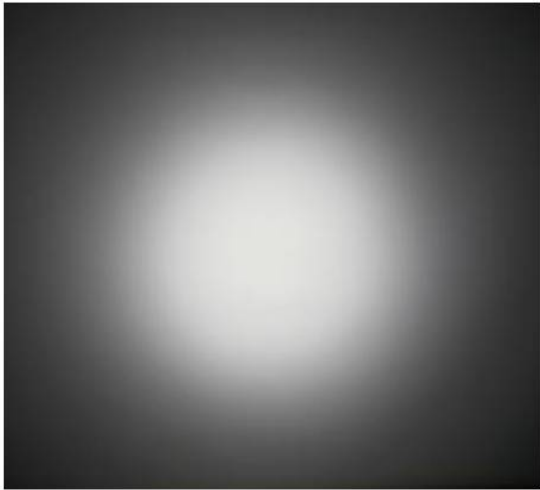
OPTIONS	ALL MODELS
COLOURS	COOL WHITE (5600K) NEUTRAL WHITE (4100K) WARM WHITE (3000K)

### PROFILE DIMENSIONS

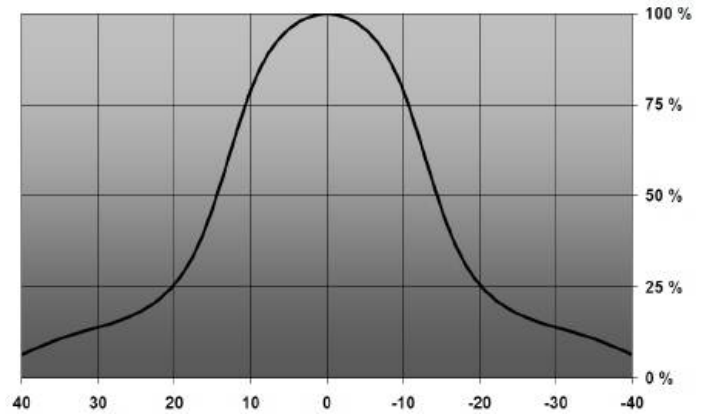


**PHOTOMETRICS - SPREAD AND RELATIVE INTENSITY**

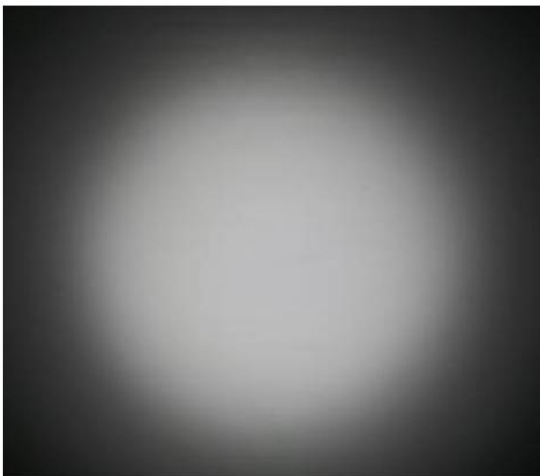
**SPREAD PATTERN – MEDIUM OPTIC (28 DEGREES)**



**RELATIVE INTENSITY – MEDIUM OPTIC (28 DEGREES)**



**SPREAD PATTERN – WIDE OPTIC (48 DEGREES)**



**RELATIVE INTENSITY – WIDE OPTIC (48 DEGREES)**

