



AR111 RETROFIT DOWNLIGHT

Technical Details



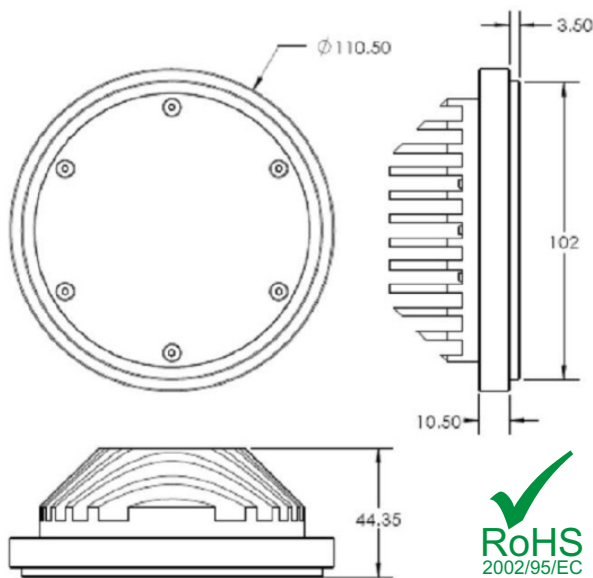
Features

Powered by Luxeon Rebel

High efficiency design to meet Part L applications

Optional On-Board Drive with thermal feedback

Profile Dimensions



Specifications

Lighting Performance	350mA	700mA
Light Source	Luxeon Rebel	
LED Quantity	8	
Lumen Output	760lm	1280lm
Expected Lifetime	50,000+	

Input Data On-Board Drive	350mA	700mA
Power Consumption	11.2w	20w
Input Voltage	12-30VDC	
Power Supply Type	Constant Voltage DC	
Input Connection	Flying Lead	

Input Data Non On-Board Drive	350mA	700mA
Power Consumption	11.2w	20w
Input Voltage	N/A	
Power Supply Type	Constant Current Driver	
Input Connection	Flying Lead	

Operating Details	350mA	700mA
LED Input Power	9.6w	18w
Ambient Temp Range	-10 to +40 Degrees C	

Physical Details

Mounting Type	AR111 Fitting
Finish	Matte Black Anodising
Ingress Protection	IP67 Available

Options

Single LED Colour	Red, Green, Blue, Amber, Cool White, Neutral White, Warm White
Optics	6, 15, 25, 40 Degrees